

VTN-A300-TS-E

Mini NVMS Server



Based on the conception of “All-in-One”, VTN-A300-TS-E is a management server specially designed and developed for security surveillance application. Its software is installed before delivery and combines management, video preview and intelligent applications. Due to its low cost, simple deployment, flexible expansion, powerful performance and high reliability, it can meet the requirements of the medium and small-sized security systems.

Features

Device Access

- Supports VidoNet private protocol, ONVIF protocol, standard RTSP,SDK
- Supports adding devices by manually entering IP address, domain name or IP range, by auto search, or by auto report
- Setting the network of the devices before quick adding them

Resource Management

- Supports channel (or camera) group management and device area management
- Supports centralized management of decoding devices, encoding devices and platform services

Device Configuration

- Supports the basic configuration and user management of the devices
- Supports the date, time and time zone, network, email and DDNS configuration of the devices
- Supports getting the information of the device's HDDs
- Supports multi-OSD setup of one channel
- Supports the camera's ROI, video mask and motion detection settings
- Supports smart event settings
- Supports the camera's resolution, frame rate, VBR/CBR, image quality and bitrate settings
- Supports the camera's brightness, contrast, saturation, hue, AZ settings, etc.
- The parameters of multiple devices can be set at one time
- Supports configuring record plan for storage devices

People Management

- Supports binding devices and people group; The personal information of the group will automatically transfer to the device database and then these people will be given access permission.
- Supports visitor list adding and visit record search
- Supports batch adding and importing face pictures; people attribution information configurable
- Supports the similarity setting of face search
- Supports application scenes, face capture source, face capture schedule and entrance/exit settings
- Supports uploading the capture pictures to the set FTP server

User Management

- Supports multi-user talk
- Supports user MAC address binding
- Supports user lock
- Supports different users and permission
- Supports permission based on resources and operation
- Permission can be assigned to each channel (or camera) of the device

Live View

- Supports multi-screen display mode:
 - Supports 1/2/3/4/6/8/9/10/13/16/17/21/25/33/36 standard screen display mode
 - Supports 2/4/6/7/9/12/16/24/36 widescreen display mode
- Supports customized screen display mode
- Supports corridor mode
- Supports adding fisheye and panoramic cameras
- Supports channel group/view plan auto-switch
- Supports stream self-adaption and one-key stream switch
- Supports multi-monitor display
- Supports instant playback
- Supports decoding with hardware
- Supports device's smart area and result display

Two-way Talk and Broadcast

- Supports remote listening
- Supports two-way talk
- Supports 8K or 16K audio sampling rate
- Supports multiply audio formats: G.711 a-law, G.711 u-law, G.722.1, G.726, ACC, MP2L2, PCM
- Supports voice broadcast and audio file customization

Snapshots

- Supports snapshots in the live view mode and playback mode
- Supports triggering camera snapshot

PTZ Control

- PTZ remote control, including preset, track and cruise calling and settings
- Supports zoom in/out and focus+/-
- Supports PTZ protocol configuration
- Supports 3D positioning control (the target can be quickly positioned and captured by box selection)

Record Playback and Backup

- Supports multi-channel simultaneous and asynchronous playback
- Supports multiple record source playback
- Supports multi-window playback
- Supports playback by channel, time slice, time, tag and event search
- Supports playback by frame, dragging the progress bar, fast forward or slow speed
- Supports record backup: manual backup, backup by channel, time, tag and event search; supports cutting records and backup in the playback interface
- Supports backing up recorded files of DVR/NVR/Storage server to the USB flash drive inserted into the Mini Server
- Supports remotely backing up recorded files of NVR to the USB flash drive inserted into the NVR via the Mini NVMS Server
- Supports pre-alarm/post-alarm recording and record expiration time settings
- Supports smart playback by face or plate number
- Supports image search

Alarm

- Supports multiple alarm types: Motion alarm, sensor alarm, smart event linkage alarm, line crossing counting linkage alarm, face match linkage alarm, etc.
- Supports multiple alarm linkages: message pop-up, preview, audio, decoding on TV Wall, recording, snapshot, Email, alarm out and so on
- Supports arming or disarming.
- Supports SOP (alarm handling process) configuration
- Supports alarm information export by time period
- Supports manual alarm output
- Supports alarm task settings

Decoding On TV Wall

- Supports working with decoders or decoding matrix to control multiple video walls
- Supports 12MP/ 8MP/5MP/4MP/3MP/1080P/720P
- Supports decoding on TV wall in the audio format of G.722, G.711A, G.711U or ACC
- Support live view and playback on TV wall
- Supports 1/4/9/16/25/36 screen mode
- Supports window merging and splitting, opening window and roaming
- Supports multiple splicing modes: 1x1, 1x2, 2x1, 2x2,10x10
- Supports picture-in-picture mode and roaming mode
- Up to 999 plans configurable
- Supports channel group and plan sequence view
- Plan task configurable
- Supports TV Wall task setting
- Supports TV Wall backup and recovery settings
- Supports triggering decoding on TV wall; customized alarm window (unlimited)
- Supports notification for node offline

Electronic Map

- Supports Baidu map and picture map. The picture map supports JPG, BMP, PNG and TIF formats
- Supports multi-level maps; adding, modifying, moving, deleting hot spots (monitoring points, sensor)
- Supports layer edition and display as well as self-defined layer
- Supports alarm linkage, like icon flickering, video pop-up
- Video preview and E-map monitoring

Face Surveillance

- The match boxes of strangers and people from allow list and block list are displayed with different colors.
- Supports alarm popup-window after face capture or match
- Supports image search and playback by face image (captured face image or uploaded face picture) and all searched face images can be viewed via the list or track on the E-map
- Supports one-key adding the captured picture to the face database in the image search interface

Face Attendance

- Attendance time configurable
- Supports displaying the employee's photo and the compared time on the right panel after successful comparison
- Supports multi-screen display mode (1/4/9/16); the face attendance video can be projected onto a sub-screen
- The attendance record can be viewed and filtered by day, week, month, working day/ non-working day/late/leaving early/overtime working/normal working/check-in /no check-in
- Supports displaying attendance status and overtime working status in the form of a list, which can be exported to an Excel

Face Greeting

- Supports self-defining the style and other configuration items of the greeting interface
- Real-time visitor information display on the client
- The VIP visitor 's photo will be shown on the pop-up window of the sub-screen and the corresponding audio will be broadcast simultaneously
- Single visitor loop play time can be configured in seconds
- Greeting pop-up window quantity, height and duration configurable
- Support visitor access records search

Line Crossing Counting

- Supports the threshold settings of people/motor vehicle/non-motor vehicle entering and exiting
- Supports daily, monthly people/motor-vehicle/non motor vehicle flow display by chart
- Supports historical people/motor vehicle/non-motor vehicle counting displayed in a histogram or curve graph and exported to an Excel
- Supports single/multi-channel real-time statistics and daily/monthly/yearly statistics via E-map
- Historical data searched by single/multi-channel, time period and line crossing and exported to a curve graph or histogram, or an Excel

Parking Lot Management

- ANPR camera access
- Total/remaining space display
- Barrier gate control, manual/auto opening
- Historical vehicle entering or exiting information search and export
- Adding, modifying and deleting vehicle information and their parking permission
- Entrance/exit lane configuration
- Overstaying parking search and self-defining overstaying threshold
- Block list management (adding, modifying and searching vehicles to /in the block list)
- Self-defining vehicle charge rule

Others

- Supports keyboard control
- Supports overload protection
- Supports operation and maintenance management:
- Operating, system and alarm logs can be searched and exported by time, type and user

Temperature Measurement

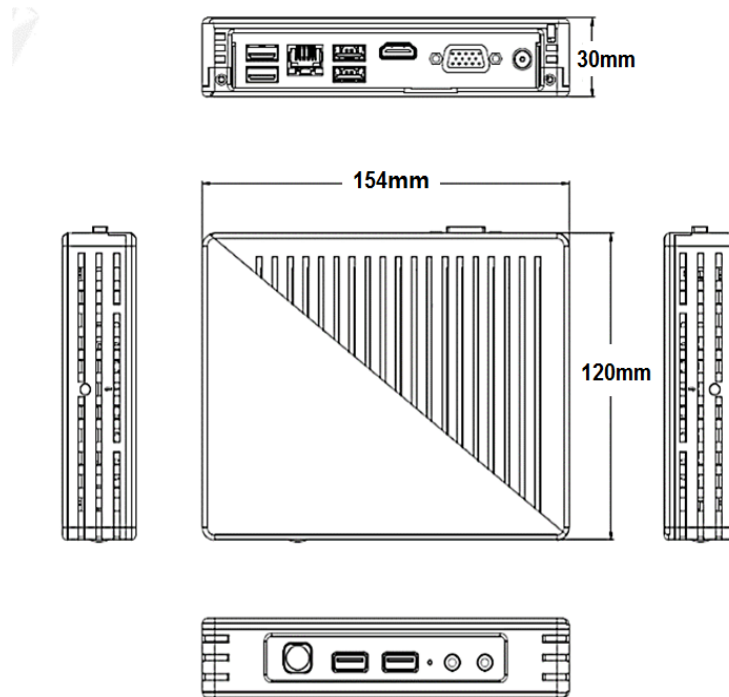
- Human temperature and mask status real-time view
- Record search by filtering conditions
- Recent seven-day statistics and statistical display
- Temperature exception pop-up window, information editable (including whether to go to the affected area, name, phone number, ID number, address, etc.)
- The record can be searched according to time range, temperature range, whether to go to the affected area, processing status and key words, and it also can be exported to an Excel
- Historical statistics: curve chart, bar graph and Excel can be exported and the data of each time period can be displayed.
- Supports a lot of alarm linkages based on over temperature people detection
- Supports TVT thermal camera or the third-party temperature measurement device access
- Supports high temperature and low temperature threshold settings

Specifications

Model		VTN-A300-TS-E
System	CPU	Intel® Pentium 4405U
	Memory	DDR4, 8GB
	Graphics Card	Integrated Graphics, Intel® HD Graphics 510
	Operation System	Linux
Software	Software	NVMS standard (custom)
	Decoding Capability	6CH 8MP or 8CH 5MP or 10CH 4MP or 16CH 1080P or 23CH 720P or 30CH D1 (or lower)
	Max. Number of Channel Access	256CH
	Max. Number of Device Access	64 devices
	Max. User Access	Max. 64 users
	Max. Decoding Output Number	32
	Max. Number of Transfer Server Access	1
	Max. Number of Channel Access of Third-party protocol	256CH
	Max. Number of Device Access of Third-party protocol	64
	Max. Channel Number of Simultaneous Preview	64 (for one client/user)
	Max. Channel Number of Simultaneous Playback	16 (for one client/user)
Max. Number of Views	Up to 64 view plans can be created	

	Max. Number of Channel Access of Single Transfer Service	256CH	
	Max. Number of Device Access of Single Transfer Service	64DVR/NVR or 64 IPC	
	Max. Outgoing bandwidth	100Mbps	
	Max. Online Users	5 users preview simultaneously	
	AI Capability	Support the integrated management of face detection IPCs, face match servers, face recognition terminals, face match NVRs, ANPR cameras	
		Support face detection, image search by face image, track playback, allow list and block list alarm as well as stranger alarm	
		Support face attendance, face greeting, people counting, parking lot management, temperature measurement	
	Access	Support local GUI access; external mouse, keyboard and monitor; multi-monitor display	
	Protocol	Private protocol, SDK, ONVIF, RTSP,	
	Live View	Support multi-screen display mode; support customized screen display mode, corridor mode, channel group auto-switch, stream self-adaption, manual record and snapshot	
	Record Playback	Support search record by time period, time slice, time and tag; support synchronous or asynchronous playback; support record backup	
Alarm Linkage	Support triggering message popup, audio, live view window, recording with tag, decoding on TV Wall		
PTZ Control	zoom in, zoom out, preset, cruise, 3D control		
HDD	System HDD	mSATA SSD 128GB	
	Data HDD	NO	
Video & Audio	HDMI Output	1CH HDMI @ 4K	
	VGA Output	1 VGA @ 1080P	
	Audio Output	1CH Line out	
	Two-way Audio	1CH MIC IN	
External Interface	Ethernet Interface	1 RJ45 10M/100M/1000M self-adaptive Ethernet port	
	USB Interface	6 USB ports: USB 3.0x2 (front panel), USB 2.0x2 (rear panel), USB 3.0x2 (rear panel)	
	Wi-Fi	1xM.2 2230 (optional)	
Others	Power	DC 12V/3A	
	Power Consumption	≤36W	
	Working Temperature	-5°C--+45°C	
	Storing Temperature	-20°C--+70°C	
	Working Humidity	10%--95%	
	Dimensions	154mm(W)×120mm(H)×30mm(D)	
	Weight	≤0.47Kg	

Dimensions



Interfaces



Typical Application

