

4 CH PoE NVR

8MP/6MP/5MP/4MP/3MP/1080P/720P HD PoE NVR



VTN-204P-H.265



HD Output

HD IPC

DDNS

Network

PTZ

Audio

MIC

Mobile

CMS

USB

Mouse

E-mail

STD

VCA

VTN-204P-H.265 supports 4 CH 8MP/6MP/5MP/4MP/3MP/1080P/1280×1024/960P/720P high definition IP video input, which adopts the most advanced SOC technique to ensure high definition recording in each channel and realize outstanding robustness of the system.

VTN-204P-H.265 integrates with 4 PoE network ports and supports 4 CH IPC direct connection to NVR, simultaneous 4 CH playback and 4K ultra high definition display. The series of product can meet different security requirements of home, financial, commerce, enterprise, transportation and government, etc.



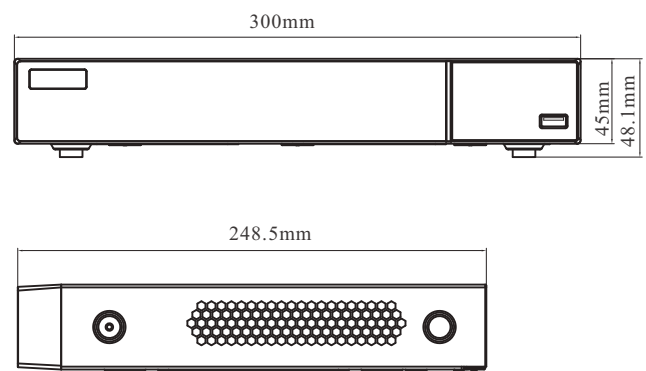
Specifications

Model		VTN-204P-H.265
System	OS	Embedded Linux
Video	Network Input	4 CH IPC input
	Network Input Resolution	8MP/6MP/5MP/4MP/3MP/1080P/1280×1024/960P/720P/960H/D1/CIF
	Output	HDMI × 1 : 3840 × 2160 / 1920 × 1080 / 1280 × 1024 / 1024 × 768 VGA: 1920 × 1080 / 1280 × 1024 / 1024 × 768
	Compression	Standard H.265 / H.264
Audio	Network Input	4 CH IPC audio input
	2-way Audio	RCA × 1
	Local Output	RCA × 1
	Compression	G.711(U/A)
Record	Record Stream	Dual stream recording
	Resolution	8MP/6MP/5MP/4MP/3MP/1080P/1280×1024/960P/720P/960H/D1/CIF
	Frame Rate	NTSC:30fps; PAL:25fps
Playback	Simultaneous Playback	Max. 4 CH
	Search	Time slice / time / event / tag / smart search
	Smart Search	Highlighted color to display the camera record in a certain period of time, different colors refers to different record events
	Function	Play, pause, FF, FB, digital zoom, etc.
Decoding Capability	Live View/ Playback	1CH 8MP; 4CH 1080P
Alarm	Mode	Manual, sensor, motion, exception, smart events
	Input	Supports IPC alarm input
	Output	Supports IPC alarm output
	Triggering	Record, snap, preset, e-mail, etc.
Network	Interface	RJ 45 × 1 (10/100/1000Mbps)
	Protocol	TCP / IP, PPPoE, DHCP, DNS, DDNS, UPnP, NTP, SMTP, HTTP, HTTPS, 802.1x, ONVIF, etc.
	Incoming/ Outgoing Bandwidth	40/40 (Mbps)
	Client Connection	Max. 10 users access
Mobile Device	OS	iOS, Andriod
Storage	HDD Interface	SATA3.0 × 1, max 10T
Backup	Local Backup	U disk, USB mobile HDD
	Network Backup	Yes
Port	USB	USB 2.0 × 2
	Remote Controller	Optional
PoE	PoE Ports	100M RJ45 × 4
	Standards	IEEE802.3af
	Output Power	≤40W
Others	Power Supply	DC 48V/1.25A
	Consumption	≤ 10W (without HDD)
	Dimensions (mm)	300 × 249 × 45 (W × D × H)
	Working Environment	-10 ~ 50 °C, 10% ~ 90% humidity
	Certificate	CE, FCC
Environmental Protection	Complies with Directive EU RoHS, REACH and WEEE	

Features

- Support 4 CH 8MP/6MP/5MP/4MP/3MP/1080P/1280×1024/960P/720P/ 960H/ D1/CIF IP video input
- Adopt standard H.265 and H.264 high profile compression format to get high-quality video at much lower bit rate
- Intuitive and user-friendly Graphic User Interface (GUI), Windows style operation by mouse
- Multi-mode recording: manual / timed / motion / sensor / POS / AI recording
- Playback : 4 CH simultaneous playback
- Search : time slice, time, event, tag, smart search
- Support multiple VCA (Video Content Analytics) events, such as object abandoned/missing, region intrusion, tripwire, video exception, etc.
- Support POS information overlay on live view and playback
- Express and flexible backup via USB, network and so on
- Pentaplex : preview, record, playback, backup and remote access
- DHCP, DDNS, PPPoE network protocol
- Remote control via Web or CMS : preview, playback, backup, PTZ and configuration
- 4/8 PoE network ports; IPC can be directly connected to NVR; PoE power supply supported
- Dual stream technology for local storage with high definition, remote network transmission and remote surveillance with mobile device
- Multi-user online simultaneously
- Authorization management, log view and device status view
- 4K output, true high resolution display
- Support NAT function and QRCode scanning by mobile phones
- Powerful mobile surveillance by smart phones with iOS and Android OS

Dimensions



Rear Panel

VTN-204P-H.265

