

## 8MP 32X 200m IR Network Smart PTZ



**VTC-S81-IR-32X**



8MP



H.265



HDR10



Smart tracking



Perimeter



PoE++



IP66



H.265



## System

VTC-S81-IR-32X PTZ camera which adopts SONY latest images sensor, with powerful 32x optical zoom lens, could deliver ultra-high definitions 4K(3840x2160@30fps) image over a wide open area. The H.265 video compression reduces bit rate down to 50% of H.264 without loss. With its built-in 1.5Tops AI engine, the PTZ could detect and classify max 15 objects per scene. When any of them intrude restricted areas, the PTZ camera will trace, zoom fit in center of screen, snap and record and trigger alert. The rotation speed of gimbals is improved for tracing fast object. The IR brightness is enhanced 250%, with F1.2 large aperture, which improves night vision distance beyond 200m. This PTZ conforms to the ONVIF specifications ensuring interoperability between network video products regardless of manufacturers, and also complies with NDAA 2019. The PTZ has built-in turbo fan and heater, suitable for 7/24H work in outdoor weather.

## Key Spec:

- 1/2.8" SONY progressive scan CMOS
- Up to 3840x2160 resolution
- Mini illumination:  
Color: 0.01 lux @ (F1.2 AGC ON)  
0 Lux with IR
- 32x optical zoom, Accurate and fast focusing
- HDR, 3D DNR, Smart IR
- IR distance beyond 200m
- Smart H.265+/H.265/H.264+/H.264
- Intelligent Video content analytics
- Smart tracking of human/vehicle
- Smart detection and perimeter protection
- ONVIF, API and SDK
- PoE++, DC24V, AC24V power self-adaptive
- IP66, -40°C~65°C, Aluminum Alloy & Plastic

## Application:

Wide range area intrusion, perimeter protection and alarm, such as parks, scenic spots, stations and venues, industrial park.

## SPECIFICATION:

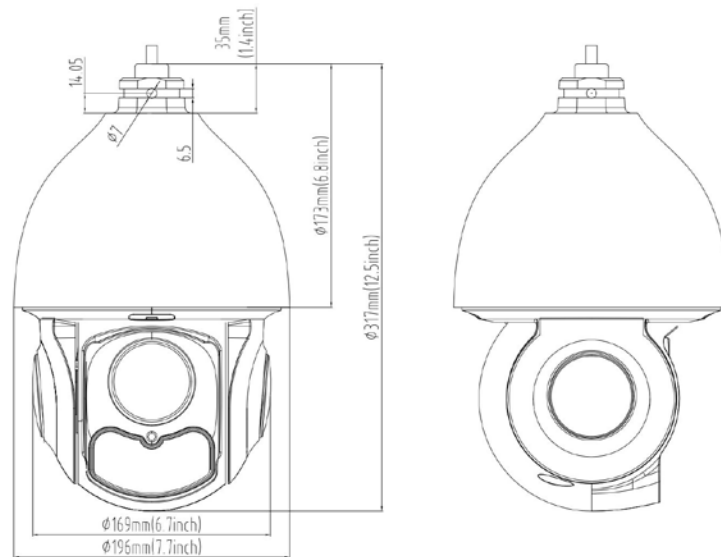
Camera Module				
Image sensor	1/2.8"SONY latest progressive scan CMOS			
Mini. Illumination	Color: 0.01Lux @ (F1.2, AGC ON); B/W: 0.002Lux @(F1.2, AGC ON);0Lux with IR			
Image setting	Flip, Mirror, Saturation, Brightness, Contrast, Sharpness, AGC, etc. adjusted by client			
Shutter Speed	1/1 s – 1/100,000 s			
White Balance	Auto/Manual/Indoor/Outdoor			
Gain control	Auto/Manual			
Day & Night control	Auto/Manual , time schedule			
Iris control	Auto/Manual			
SNR	≥55dB			
3D DNR	Auto/Manual			
AE Enhancement	BLC, HLC, WDR			
Privacy Mask	24 areas, up to 8 mask in the same frame			
Picture overlay	Logo picture could be overlaid on video with 128x128pixels,24bits BMP format			
OSD overlay	max 15 characters/line, 8 lines, white or red font color			
Lens				
Focus length	f=4.8-154mm lens,32x optical zoom			
Zoom Speed	Approx. 4.6s (optical zoom, wide-tele)			
Field of View	Horizontal: 61.3° ~2.18° ;Vertical: 36.9° ~ 1.22° ; Diagonal: 68.4° ~ 2.5° (wide-tele)			
Working distance	wide: 1.0m ~ INF; tele: 1.5m ~ INF			
Iris	DC IRIS (hall sensor, 16stops) F1.2 ~ F4.4 (wide-tele)			
IRCut type	Removable IRCut filter			
DORI distance	Detect	Observe	Recognize	Identify
	3528m(11575 f.t.)	1400m(4593 f.t.)	700m(2296f.t.)	350m(1148f.t.)
PTZ				
Pan Range	360°endless			
Pan speed	Configurable, from 0.1~120°/s; Preset speed: 150°/s			
Tilt Range	From -5° to 90°,auto flip			
Tilt Speed	Configurable, from 0.1°~ 120°/s, Preset speed: 150°/s			
Proportional Zoom	Yes			
Preset	360			
Cruise	8 cruises, up to 16 presets for each cruises			
Trace	4 traces, record time over 3 minutes for each trace			
Power off memory	Support			
Action mode	Preset/Cruise/Trace/Auto Scan/Random Scan			
3D Positioning	Support			
PTZ Position Display	Support			
Schedule Task	Preset/Cruise/Trace/Random Scan/Boundary Scanning /Dome reboot			
IR				
IR Distance	200m (656 f.t.)			
Smart IR	Yes			
Network				
Max Resolution	3840x2160			
Main stream	50Hz: 25fps: 3840× 2160,2560× 1440,1920× 1080,1280× 960,1280× 720, 60Hz: 30fps:3840× 2160,2560× 1440,1920× 1080,1280× 960,1280× 720			
Sub stream	50Hz: 25fps: (704 × 576, 640 × 480, 352 × 288); 60Hz: 30fps (704 × 480, 640 × 480, 352 × 240)			
Third Stream	50Hz:25fps (1920 × 1080, 1280 × 960, 1280 × 720, 704 × 576, 640 × 480, 352 × 288) 60Hz:30fps (1920 × 1080, 1280 × 960, 1280 × 720, 704 × 480, 640 × 480, 352 × 240)			
Video compression	H.265/H.264+/H.264/MJPEG			

H.264 Standard	H.264/AVC codec BP/MP/HP, Level 5.1
H.265 Standard	H.265/HEVC codec MP, level 5.0
Video Bit Rate	64 Kbps to 16Mbps
Audio compression	G.711 A/U
Audio Bit Rate	64K bps
Protocols	HTTP, HTTPS, IPv4/IPv6, 802.1x, QoS, FTP, SMTP, UPnP, SNMP,DNS, DDNS, NTP, RTSP, RTCP, RTP, TCP/IP, UDP, DHCP, PPPoE
User / Host	Up to 16 users, 3 levels: Administrator, Advanced User and Normal User
Security Measures	User authentication (ID and PW), Host authentication (MAC address); HTTPS encryption, IEEE802.1x port-based network access control; IP address filtering
<b>Smart Features</b>	
Basic event	Motion detection, Video tampering alarm, Exception(Network disconnected, IP address conflict, SD full, SD error)
Face recognize	Detecting max 15 faces at same scene. Detecting, tracking, capturing
Road traffic	Vehicle detecting and tracking
Smart Detection	Tripwire, Bi-directional tripwire, Illegal intrusion detection, Region entrance detection, Region exitance detection, Unattended baggage detection, Object removal detection, etc.
Smart Tracking	smart tracking of human or vehicle, auto/manual
<b>System Integration</b>	
Alarm Interface	1 Alarm input(Dry contact); 1 Alarm output
Audio Interface	1 audio input(MIC in); 1 audio output, line level, impedance,600Ω
Alarm Linkage	Alarm actions, such as Preset, Cruise, Track, Memory Card Video Record, Trigger Recording, Notify Surveillance Center, Upload to FTP/Memory Card, Send Email, etc.
Network Interface	1 RJ45 10M/100M Adaptive Ethernet ,Support PoE++( 802.3.bt,class 6)
SD Card	On-body MicroSD chamber, up to 256G
RS 485	N/A
BNC	N/A
Speaker &Mic	N/A
Reset button	Yes
Heater	Yes
Fan	Yes
Water removal	Remove water-drops by quick spinning
API	ONVIF, support TVT SDK and third-party management platform
Client	VidoNet N9000 1.4.5, NVMS 2.0; and the third-party client
Web Browser	IE8-11
<b>General</b>	
Culture	16 languages: Czech; English, German ; Hungarian ; Italian ; Japanese ; Korean ; Portuguese, Polish; Russian, Romanian, Spanish; Spanish(Mexico);Simplified Chinese; Turkish; Traditional Chinese.
Power Supply	DC24V/AC 24V ±25%, PoE++ (802.3.bt, class 6), max 34W include IR ON+PTZ working
Working condition	-40°C ~ 65°C (-40°F ~ 149°F), Cold start at - 30°C; 90%RH
Storage condition	-40°C ~ 70°C ; ≤95% RH
Protection	IP66, 6000V Lightning Protection, Surge Protection and Voltage Transient Protection
Shield Material	Aluminum Alloy + Plastic
Dimensions	Φ196mm × 317mm ( Φ 7.7 inch × 12.5 inch)
Net Weight	Approx. 3.7 Kg (8.31 lb.)
Certification	IP66,IK10(excluding glass window),ROHS,CE,FC

## Ordering information

TD-8583IE2N (PE/32M/AR20)	8MP 32X Starlight IR 200m Network Smart PTZ Camera, IP66,-40°C~65°C,DC24V/AC24V/PoE++, not include power adaptor and bracket
------------------------------	---

## Dimensions:



## Accessories(optional):



VTC-YZJ0808  
Wall mounting bracket



VTC-YZJ0808+VTC-YZJ0501  
Pole mounting bracket



VTC-YZJ0808+VTC-YZJ0601  
Corner mounting bracket



VTC-YZJ0807  
Pendant mounting bracket



VTC-YZJ0305  
Wall mounting bracket



VTC-YZJ0305+YZJ0501  
Pole mounting bracket



VTC-YZJ0305+YZJ0601  
Corner mounting bracket



VTD-K23  
PTZ Keyboard

\* All pictures and texts are for reference only. Actual product may vary due to product enhancement.