

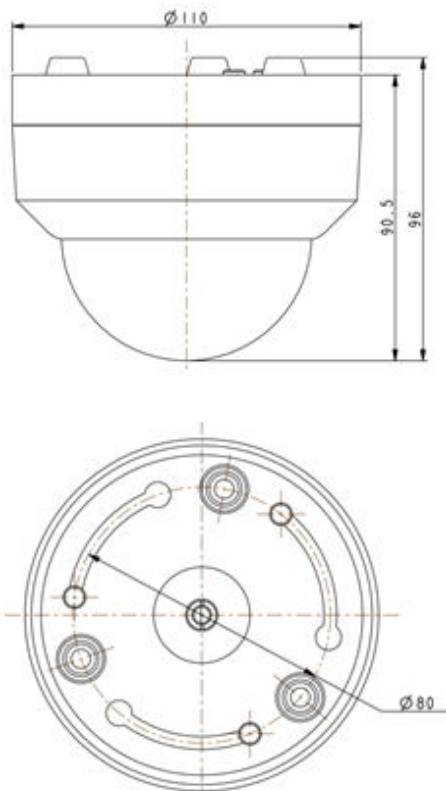


DI-PT4XD200

Features

- ❖ 1/2.9"SONY 2.1MP CMOS Sensor
- ❖ AHD / CVI / TVI 3 IN 1
- ❖ AHD / TVI / CVI : 2M @ 25fps
- ❖ f = 2.8mm-12mm
- ❖ 4X Optical Zoom
- ❖ Support ICR Switch, True day / night
- ❖ IR Distance Max. 60m
- ❖ Support Noise Reduction
- ❖ IP67 Ingress Protection
- ❖ Support OSD Manual & UTC
- ❖ Support Pelco D & P

Dimension



Specifications

Model No.	DI-PT4XD200
Specifications	
Image Sensor	1/2.9" SONY 2.1MP CMOS Sensor
Image Resolution	2M:1920*1080
Video Output	3IN1: AHD/HD-TVI/CVBS
Focus Length	2.8mm-12mm
Focus Control	4X Optical Zoom
Electronic Shutter	Auto; 1 / 25s ~ 1 / 50,000s (PAL); 1 / 30s ~ 1 / 60,000s (NTSC)
Horizontal Rotation Speed	20°/S
Horizontal Rotation Range	0°~355°
Tilt Rotation Speed	25°/s
Tilt Rotation Range	0°~70°
Preset Points	220
Guard Tours	8 groups
Guard Points	Max.16 points
S / N Ratio	≥ 50dB
TV System	PAL/NTSC
Infrared LED	φ 35x4PCS
IR Range	60m
Day-night mode	AUTO
UTC	Support
RS485	Support
Weatherproof	IP67
Operating Temperature	Indoor: 0°~ +40° Outdoor: -40°~ +60°
Operating Humidity	≤90% Non Condensing
Power	DC12V 2A
Lightning Protection	Transient voltage 6000V
Dimensions (mm)	110(W) x 90.5(H) mm

Accessories



DI-B271